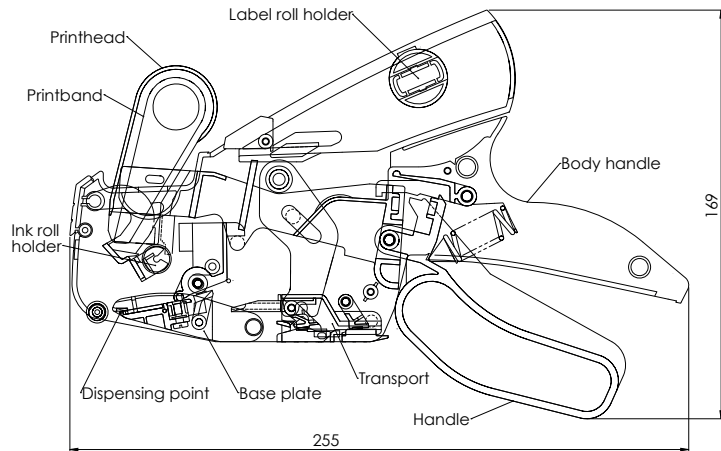


TECHNICAL DATASHEET - PRICE GUN

Meto Classic S



Technical Data

Tool type:	price gun
Manufacturer:	Meto International GmbH
Model:	Meto Classic S
Colour:	silver-teal
Tool size (LxWxH):	256 x 59 x 160 mm
Packaging size (LxWxH):	282 x 68 x 186 mm
Net weight (tool):	412 g
Gross weight:	588 g
Lines:	1
Digits:	6 - 10 print positions depending on the model
Print height:	3,0 - 5,0 mm depending on the model
Label size:	26 x 12 mm / 26 x 16 mm depending on the model
Main components:	label roll holder, handle, transport, ink roll holder, printband, printhead

Price gun material:

a) body, printhead, transport	ABS (50%), POM (26%), PA (9%)
b) screws, springs	metals (12%)
c) printbands	elastomer (3%)

Label material:

a) face paper	paper *
b) adhesive	permanent, removable, deep freeze *
c) liner	kraft paper white *

Ink roll material:

a) ink roll holder	polyamide (PA 6)
b) foam body	mixed polyurethane foam
c) ink	black, type T-192, glycerin based

TECHNICAL DATASHEET - PRICE GUN

Packaging material:	230 g GD2, FSC Mix
Certification:	packaging: climate neutral production, FSC Mix
Transport (labels):	wavy-edge
Warranty:	2 years
Scope of delivery:	price gun with labels and ink roll ready for use

Item list

30007652	Meto Classic S 626/12, price labelling
30008413	Meto Classic S 626/16, price labelling
30007658	Meto Classic S 826/12, price labelling, item numbering
30008411	Meto Classic S 826/16, price labelling, item numbering
30007655	Meto Classic S 826/12, price labelling, quantities
30007629	Meto Classic S 1026/12, price labelling, best-before date

*For more information please contact us directly at service@meto.com or visit us on www.meto.com/hls.